

Edge Nexus Tablet Stand

The Edge iPad stand range features a unique clamp based design that includes a simple security lock release option. The Edge iPad stand is perfect for counter top use from POS to kiosk self-service applications. Designed for the 10.2" iPad.



Contents

Secure	3
Cable Management.....	4
Movement.....	5
Mounting Options	6
Desktop & Wall Mountable.....	7
Recommended Positioning	8
Custom Branding Solutions.....	9
Pre-Assembled	10
Supported Tablets	11
Specifications	12



Secure

The Edge case is constructed from high grade metal and powder coated for durability. The iPad is secured in place with a unique clamp design with neoprene cushioned support. Remove your iPad from the Edge stand with a simple release option located on the rear bracket.

Cable Management

The Edge Nexus iPad stand ensures your device remains charged and ready for use without the need for a bulky case. The slim clamp design includes cable management that allows you to run the cable through the stand and out at the base.





180° Swivel Movement

The Nexus stand includes a 180 degree swivel, which is perfect for customer facing Point Of Sale (POS) and kiosk stands. This stand also features a unique magnetic hold at each swivel point to keep your tablet in position. For a fixed option, a position lock is available to disable swivel movement.



Freestanding

Included



Screw Mount

Included



Adhesive Mount

Included



**Heavy Duty
Freestanding Base**

Sold Separately



Desktop Mount

Screw Mount, Adhesive & Freestanding options.



Wall Mount

Screw Mount only.



Recommended counter height for the Edge Nexus

29.53" - 35.43" (75 - 90 cm)

Perfect for customer facing Point Of
Sale (POS) and kiosk stands.

Custom Branding Solutions

Add your logo on the Nexus Touch with a silk-screen finish on our powder coated molded metal bases or adhesive tab branding on the front facing display.



Pre-Assembled

Want an easy installation process without having to worry about parts, screws and lengthy assembly guides? We thought so. All products (with the exception of the Floor Stand) arrive fully pre-assembled for trouble-free large scale roll outs.



Supported Tablets

The Edge case currently supports the following tablet models.

Supported Tablets:

iPad 10.2 7th Generation

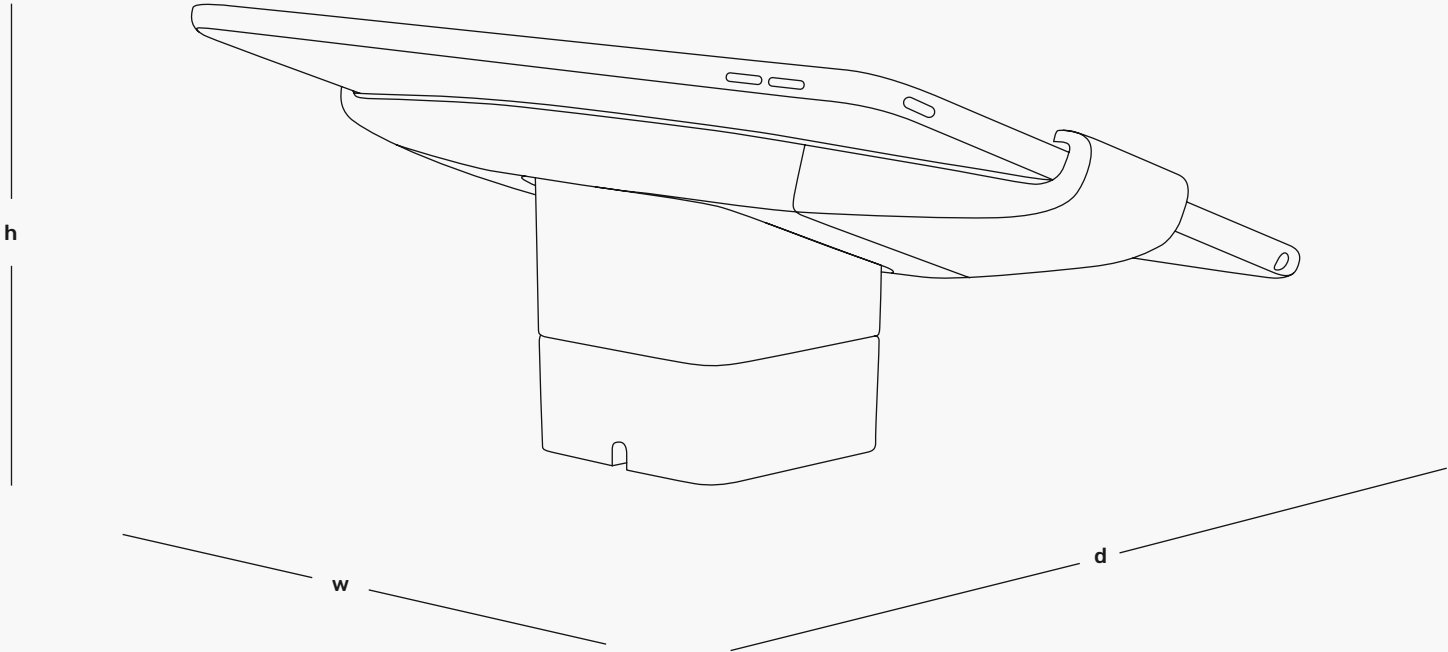
iPad 10.2 8th Generation

iPad 10.2 9th Generation



IPAD 10.2 (7TH, 8TH & 9TH GEN)

Can't find your tablet model above? Contact us to find a solution for you.



w - 10.35" (263mm)

d - 6.69" (170mm)

h - 4.33" (110mm)