

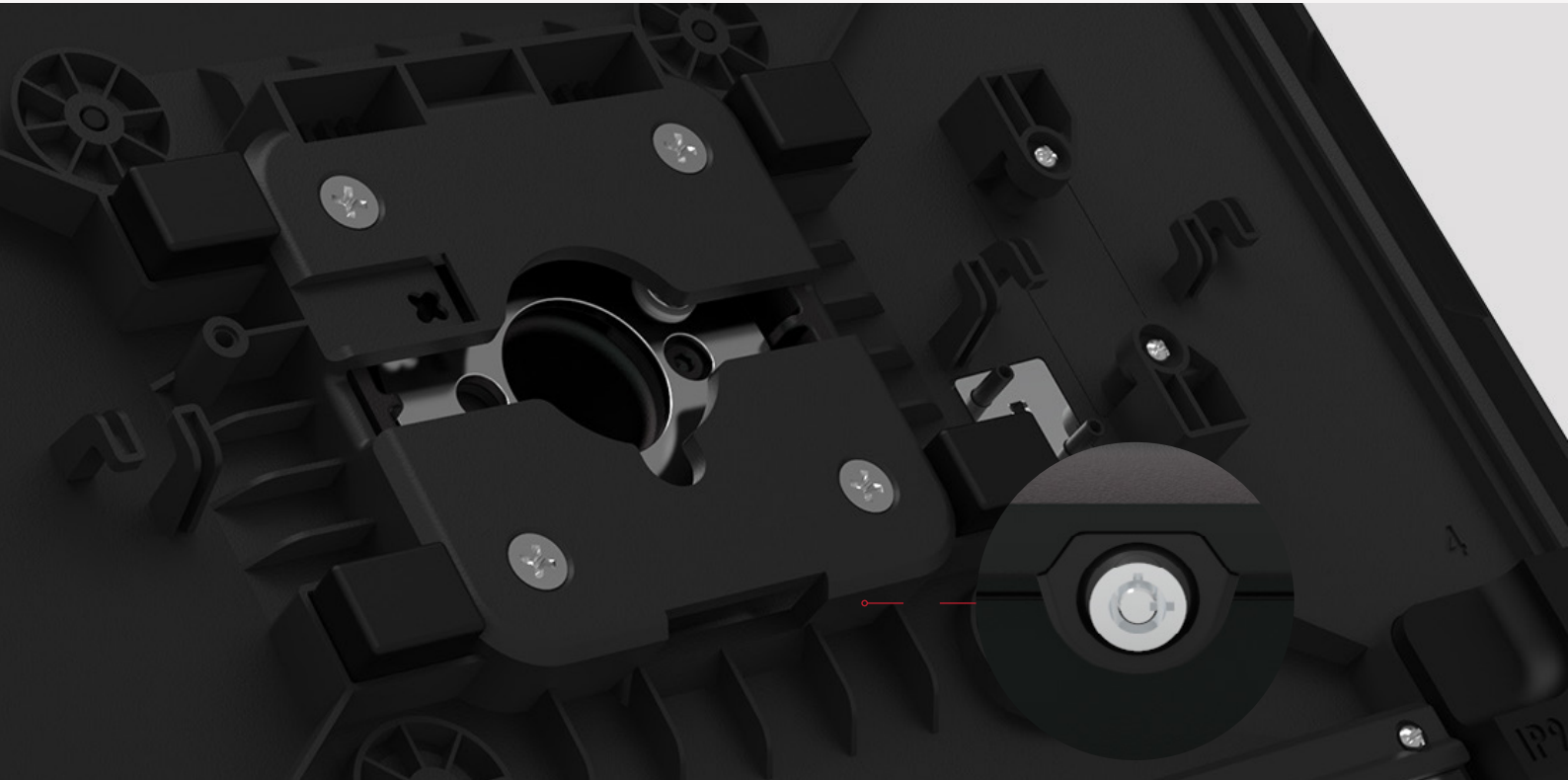


Secure. Durable. Stylish.

The Elite tablet stand offers high security and durability in a sleek and stylish casing. Available in a variety of mounting options, this tablet holder is versatile in any retail, hospitality or business environment.

Table of contents

1. Product Overview
2. Security
3. Case Accessories
4. Pole Options
5. Movement
6. Cable Management
7. Base Options
8. Pre Assembled
9. Case Specifications
10. Pole & Base Specifications



Strong and Secure

4 Point Lock

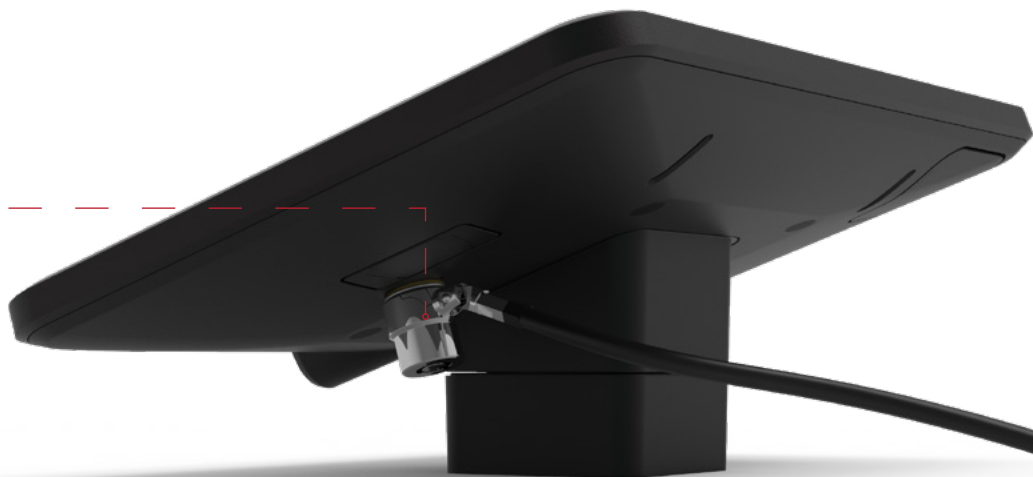
The Elite tablet enclosure features a lockable faceplate that secures with a barrel key and four-point lock for ultimate security. As an additional security option, unique key and barrel sets are also available. The Elite tablet stand is ideal for high-traffic areas or any commercial or educational environment where additional layers of security may be required for your device.

Bulk Keyed Alike

We include the same key number for all orders of multiple stands. Ordering more down the track? Simply add your key number to your order notes at checkout and we will send out the same barrel lock and key as your previous order.

Optional Cable Lock

Want more security? The Elite case comes with a slot for an optional cable lock, offering you more security at a low cost.

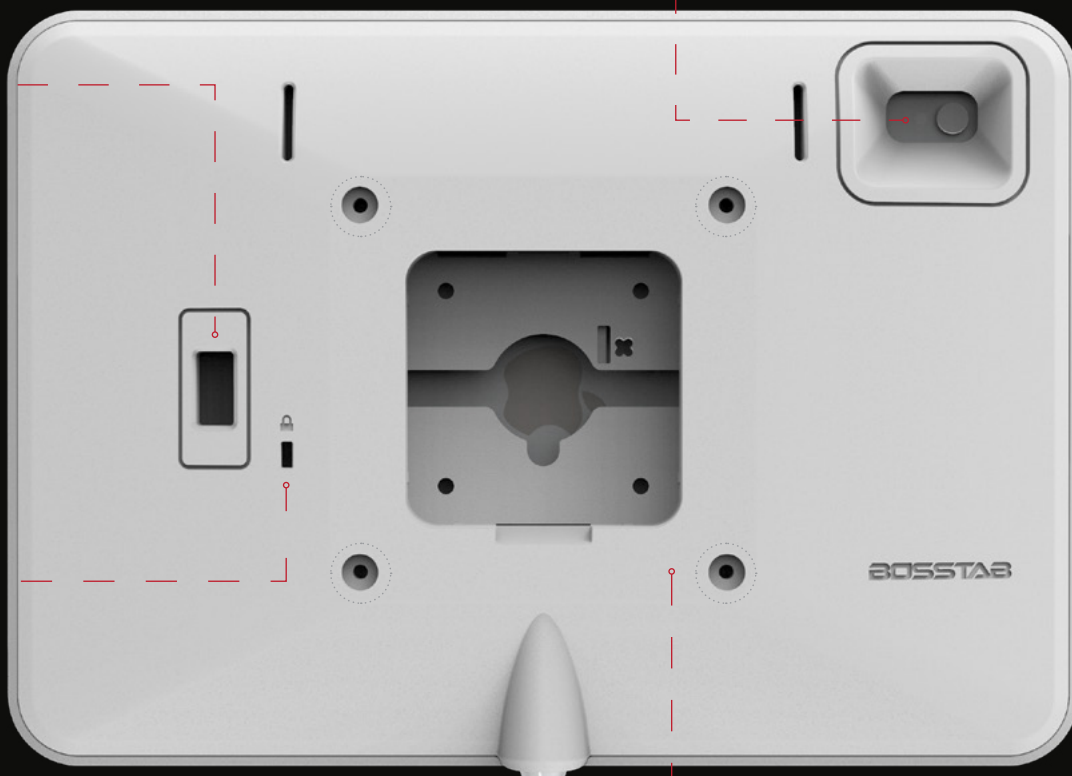


Cable Cut Out

Two cable management options including the ability to discreetly run your cable from the device through the mounting pole, or alternatively, run the cable directly through the included cut out in the case's rear.

Camera Cut Out

Camera cut-out to allow the use of iPad or Android cameras whilst the device remains secured within the Elite case.



Cable Lock Port

For additional security, cable locks are available which attach to a purpose-designed latch at the rear of the case. Our cable lock extends 6 feet (190cm) and is made from a coiled galvanized steel.

Vesa Mount

The Elite tablet stand case is also compatible with Vesa mounts. This allows you to mount the case directly to the wall for a flush finish or attach to any industry standard VESA monitor bracket.



Evo Screw Mount & Freestanding

Measuring up to 7.95" (202mm) high and complete with flexible mounting options, the Evo stand ensures the perfect height for counter top POS and self service kiosk applications.

Both Freestanding and Screw Mount options are constructed with high grade metal casting and features a powder coated finish for strength and durability.

Nexus Stand

Measuring 3.19" (81mm) high, the Elite Nexus stand is ideal for use when sitting at a desk or standing at a counter.

This stand is constructed with high grade metal casting and features a powder coated finish for strength and durability. The Nexus stand can be either mounted by strong adhesive pads which are included with the stand or screwed down to a surface.



Need more info?
Refer to specifications
(page 10) for detailed
measurements.



Nexus Stand

The Nexus stand includes a 180 degree swivel, which is perfect for customer facing Point Of Sale (POS) and kiosk stands.

Evo Stand

Both Screw Mount and Freestanding options rotate between portrait and landscape and also features a 40-degree tilt for a functional and ergonomic design.



40° Tilt



90° Rotation

Position Lock

All Touch stand options feature a lock to fix the desired tilt angle in position.





Hidden Cable Management

Easy Cable Routing

Keep your tablet charged with internal cable management in the fully enclosed case. The Elite tablet stand features two cable management options including the ability to discreetly run your cable from the device through the pole, or alternatively, run the cable directly through the included cut out in the case's rear.

Can't run a cable to your stand?

Not a problem! Simply remove your tablet from the Elite case using the 4 point key lock and charge it at the end of the day. Alternatively use a portable battery pack to keep your tablet running.



Base and Mounting Options

Nexus Base

The Nexus stand can be either mounted by strong adhesive pads which are included with the stand or screwed down to a surface.

Evo Freestanding Base

This stand can be placed directly onto a table or countertop as a freestanding option for mobility. Featuring strong grip rubber pads at the base of the stand to eliminate slipping.

Evo Screw Mount Base

For a secured mount option, the Evo Screw Mount can be screwed down from above with a casing to cover the bracket or alternatively screw from underneath for a clean mounting option.





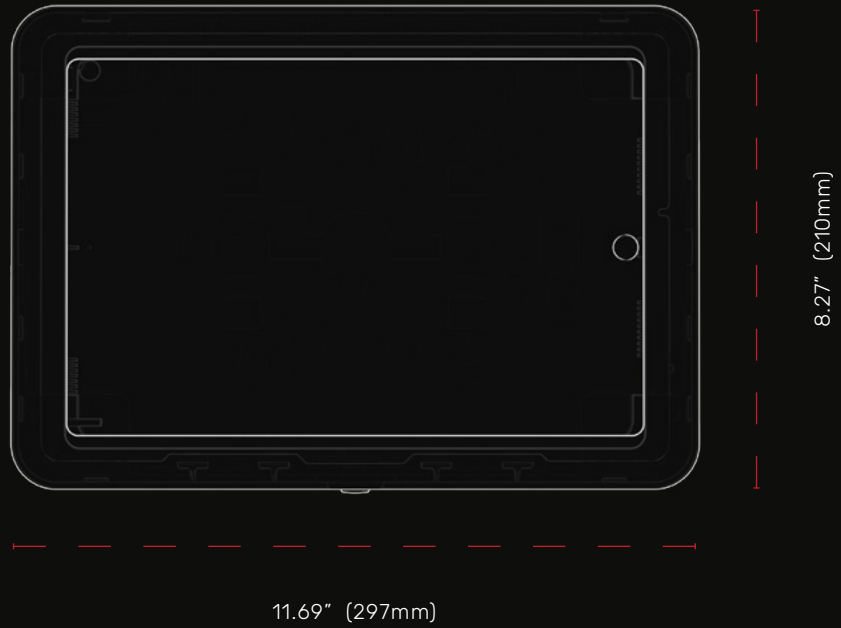
No Assembly Needed

Want an easy installation process without having to worry about parts, screws and assembly guides? We thought so. This stand comes fully pre-assembled for trouble-free, large-scale roll outs.

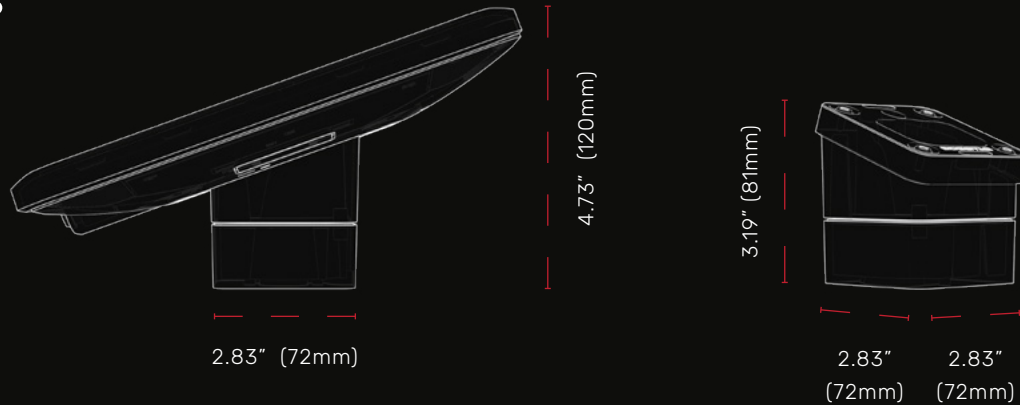
Supported Tablets:

- iPad 10.2 (7th Gen)
- iPad 9.7 - 5th & 6th Gen
- iPad Pro 9.7
- iPad Air 1st & 2nd Gen

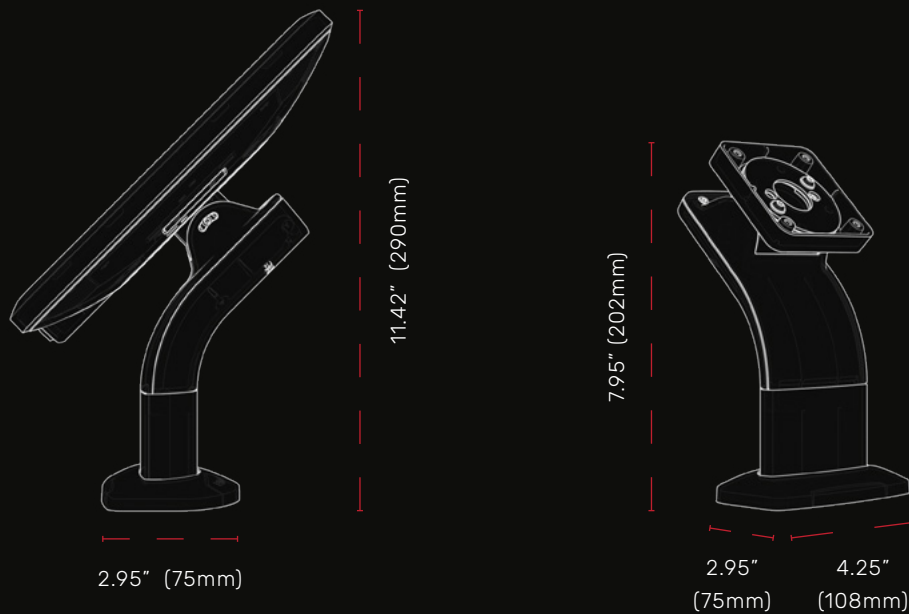
*More compatible tablets are added regularly, contact us for an up to date list.



Nexus



Evo Screw Mount



Evo Freestanding

